



Catalogo di scelta rapida

Apparecchi di comando e protezione Sezionatori di potenza OT

Sezionatori 3/4 poli per montaggio su portella 16...125 A



| Tipo | OT16FT3 | OT25FT3 | OT40FT3 | OT63FT3 | OT80FT3 | OT100FT3 | OT125FT3 | OT16FT4N2 | OT25FT4N2 | OT40FT4N2 | OT63FT4N2 | OT80FT4N2 | OT100FT4N2 | OT125FT4N2 |
|-------------|----------|----------|----------|----------|----------|----------|----------|-----------|-----------|-----------|-----------|-----------|------------|------------|
| Codice | EE 265 3 | EE 266 1 | EE 267 9 | EE 268 7 | EE 269 5 | EE 270 3 | EE 271 1 | EE 279 4 | EE 280 2 | EE 281 0 | EE 282 8 | EE 283 6 | EE 284 4 | EE 285 1 |
| Numero poli | 3 | 3 | 3 | 3 | 3 | 3 | 3 | 4 | 4 | 4 | 4 | 4 | 4 | 4 |

Maniglie quadrate per sezionatori retroportella

| Fissaggio tramite ghiera | Tipo | Codice | | | | | | | | | | | | | | |
|----------------------------------|---------|----------|---|---|---|---|---|---|--|---|---|---|---|---|---|---|
| nera IP54 | OHBS1PH | EE 296 8 | • | • | • | | | | | • | • | • | | | | |
| rossa/gialla IP54 | OHYS1PH | EE 311 5 | • | • | • | | | | | • | • | • | | | | |
| nera, lucchettabile IP54 | OHBS3PH | EE 302 4 | • | • | • | | | | | • | • | • | | | | |
| rossa/gialla, lucchettabile IP54 | OHYS3PH | EE 317 2 | • | • | • | | | | | • | • | • | | | | |
| nera, lucchettabile IP65 | OHBS2PJ | EE 299 2 | • | • | • | | | | | • | • | • | | | | |
| rossa/gialla, lucchettabile IP65 | OHYS2PJ | EE 314 9 | • | • | • | | | | | • | • | • | | | | |
| Fissaggio tramite viti | Tipo | Codice | | | | | | | | | | | | | | |
| nera IP54 | OHBS1RH | EE 297 6 | • | • | • | • | • | | | • | • | • | • | • | | |
| rossa/gialla IP54 | OHYS1RH | EE 312 3 | • | • | • | • | • | | | • | • | • | • | • | | |
| nera, lucchettabile | OHBS3RH | EE 303 2 | • | • | • | • | • | | | • | • | • | • | • | | |
| rossa/gialla, lucchettabile IP54 | OHYS3RH | EE 318 0 | • | • | • | • | • | | | • | • | • | • | • | | |
| nera, lucchettabile IP65 | OHBS2RJ | EE 300 8 | • | • | • | • | • | • | | • | • | • | • | • | • | • |
| rossa/gialla, lucchettabile IP65 | OHYS2RJ | EE 315 6 | • | • | • | • | • | • | | • | • | • | • | • | • | • |

Contatti ausiliari

| Montaggio | Tipo | Codice | | | | | | | | | | | | | | |
|--|--------|----------|---|---|---|---|---|---|---|---|---|---|---|---|---|---|
| NC per OT16...125F sinistra ⁽¹⁾ | OA1G01 | EO 000 3 | • | • | • | • | • | • | • | • | • | • | • | • | • | • |
| NA per OT16...125F destra ⁽¹⁾ | OA1G10 | EO 001 1 | • | • | • | • | • | • | • | • | • | • | • | • | • | • |
| NA+NC per OT16...125F sinistra/destra ⁽²⁾ | OAZG11 | EO 168 8 | • | • | • | • | • | • | • | • | • | • | • | • | • | • |

⁽¹⁾ Max 2, ⁽²⁾ Max 2 per lato.

Calotte protezione terminali

| | Tipo | Codice | | | | | | | | | | | | | | |
|-----------------------------|----------|----------|---|---|---|---|---|--|---|---|---|---|---|--|---|---|
| per quarto polo OT16...40 | OTS40T1 | EE 336 2 | | | | | | | | • | • | • | | | | |
| per OT16...40 3p | OTS40T3 | EE 337 0 | • | • | • | | | | | • | • | • | | | | |
| per quarto polo OT63...80 | OTS63T1 | EO 062 3 | | | | | | | | | | • | • | | | |
| per OT63...80 3p | OTS63T3 | EO 063 1 | | | | • | • | | | | | • | • | | | |
| per quarto polo OT100...125 | OTS125T1 | EO 058 1 | | | | | | | | | | | | | • | • |
| per OT100...125 3p | OTS125T3 | EO 059 9 | | | | | | | • | • | | | | | • | • |

Quarto polo solo per versione tripolari

| | Tipo | Codice | | | | | | | | | | | | | | |
|----------------------------|------------|----------|---|---|---|---|---|--|--|--|--|--|--|--|--|--|
| simultaneo per OT16...40FT | OTPS40FDN2 | EE 331 3 | • | • | • | | | | | | | | | | | |
| simultaneo per OT63...80FT | OTPS80FD | EE 334 7 | | | | • | • | | | | | | | | | |

Le dimensioni di ingombro sono consultabili da pagina 13 a pagina 15.

Il panorama presenta una sintesi dei prodotti e relativi dati tecnici disponibili in gamma. Le immagini presenti nel documento sono inserite **a solo scopo dimostrativo**. Per maggiori informazioni consultare il catalogo tecnico "Apparecchi di comando e protezione. Sezionatori" (cod. 1SDC300002D0903).

Sezionatori commutatori 3/4 poli 16...125 A



| Tipo | OT16F3C | OT25F3C | OT40F3C | OT63F3C | OT80F3C | OT100F3C | OT125F3C | OT16F4C | OT25F4C | OT40F4C | OT63F4C | OT80F4C | OT100F4C | OT125F4C |
|-------------|----------|----------|----------|----------|----------|----------|----------|----------|----------|----------|----------|----------|----------|----------|
| Codice | EE 230 7 | EE 231 5 | EE 232 3 | EE 233 1 | EE 234 9 | EE 235 6 | EE 236 4 | EE 237 2 | EE 238 0 | EE 239 8 | EE 229 9 | EE 241 4 | EE 242 2 | EE 243 0 |
| Numero poli | 3 | 3 | 3 | 3 | 3 | 3 | 3 | 4 | 4 | 4 | 4 | 4 | 4 | 4 |

Maniglie dirette

| | Tipo | Codice | OT16F3C | OT25F3C | OT40F3C | OT63F3C | OT80F3C | OT100F3C | OT125F3C | OT16F4C | OT25F4C | OT40F4C | OT63F4C | OT80F4C | OT100F4C | OT125F4C |
|-----------------------------|--------|----------|---------|---------|---------|---------|---------|----------|----------|---------|---------|---------|---------|---------|----------|----------|
| nera (40x13) | OHBS2 | EE 608 4 | • | • | • | • | • | • | • | • | • | • | • | • | • | • |
| rossa/gialla (40x13) | OHR2 | EE 306 5 | • | • | • | • | • | • | • | • | • | • | • | • | • | • |
| nera (39x18) | OHBS3 | EE 609 2 | • | • | • | • | • | • | • | • | • | • | • | • | • | • |
| rossa/gialla (39x18) | OHR3 | EE 307 3 | • | • | • | • | • | • | • | • | • | • | • | • | • | • |
| nera, lucchettabile | OHBS9 | EE 622 5 | | | | | | • | • | | | | | | • | • |
| rossa/gialla, lucchettabile | OHR9/1 | EE 308 1 | | | | | | • | • | | | | | | • | • |

Maniglie rinviate

| | Tipo | Codice | OT16F3C | OT25F3C | OT40F3C | OT63F3C | OT80F3C | OT100F3C | OT125F3C | OT16F4C | OT25F4C | OT40F4C | OT63F4C | OT80F4C | OT100F4C | OT125F4C |
|---|-------------|----------|---------|---------|---------|---------|---------|----------|----------|---------|---------|---------|---------|---------|----------|----------|
| nera, indicazione 1-0-2 per OT16...125F_C | OHB45J6E011 | EE 625 8 | • | • | • | • | • | • | • | • | • | • | • | • | • | • |
| nera, indicazione 1-0-2 per OT16...125F_C | OHB65J6E011 | EO 416 1 | • | • | • | • | • | • | • | • | • | • | • | • | • | • |

Alberi per maniglie rinviate

| | Tipo | Codice | OT16F3C | OT25F3C | OT40F3C | OT63F3C | OT80F3C | OT100F3C | OT125F3C | OT16F4C | OT25F4C | OT40F4C | OT63F4C | OT80F4C | OT100F4C | OT125F4C |
|-----------------|----------|----------|---------|---------|---------|---------|---------|----------|----------|---------|---------|---------|---------|---------|----------|----------|
| lunghezza 85mm | OXS6X85 | EE 320 6 | • | • | • | • | • | • | • | • | • | • | • | • | • | • |
| lunghezza 105mm | OXS6X105 | EE 377 6 | • | • | • | • | • | • | • | • | • | • | • | • | • | • |
| lunghezza 120mm | OXS6X120 | EE 321 4 | • | • | • | • | • | • | • | • | • | • | • | • | • | • |
| lunghezza 130mm | OXS6X130 | EE 322 2 | • | • | • | • | • | • | • | • | • | • | • | • | • | • |
| lunghezza 160mm | OXS6X160 | EE 323 0 | • | • | • | • | • | • | • | • | • | • | • | • | • | • |
| lunghezza 180mm | OXS6X180 | EE 324 8 | • | • | • | • | • | • | • | • | • | • | • | • | • | • |
| lunghezza 250mm | OXS6X250 | EE 325 5 | • | • | • | • | • | • | • | • | • | • | • | • | • | • |
| lunghezza 330mm | OXS6X330 | EE 326 3 | • | • | • | • | • | • | • | • | • | • | • | • | • | • |

Contatti ausiliari

| Montaggio | Tipo | Codice | OT16F3C | OT25F3C | OT40F3C | OT63F3C | OT80F3C | OT100F3C | OT125F3C | OT16F4C | OT25F4C | OT40F4C | OT63F4C | OT80F4C | OT100F4C | OT125F4C |
|--|--------|----------|---------|---------|---------|---------|---------|----------|----------|---------|---------|---------|---------|---------|----------|----------|
| NC per OT16...125F sinistra ⁽¹⁾ | OA1G01 | EO 000 3 | • | • | • | • | • | • | • | • | • | • | • | • | • | • |
| NA per OT16...125F destra ⁽¹⁾ | OA1G10 | EO 001 1 | • | • | • | • | • | • | • | • | • | • | • | • | • | • |
| NC per OT16...125F destra ⁽¹⁾ | OA3G01 | EO 161 3 | • | • | • | • | • | • | • | • | • | • | • | • | • | • |
| NA per OT16...125F sinistra ⁽¹⁾ | OA7G10 | EO 320 5 | • | • | • | • | • | • | • | • | • | • | • | • | • | • |
| NA+NC per OT63...125F sinistra/destra ⁽²⁾ | OA2G11 | EO 168 8 | | | | • | • | • | • | | | | | | | |

⁽¹⁾ Max 2, ⁽²⁾ Max 2 per lato.

Calotte protezione terminali

| | Tipo | Codice | OT16F3C | OT25F3C | OT40F3C | OT63F3C | OT80F3C | OT100F3C | OT125F3C | OT16F4C | OT25F4C | OT40F4C | OT63F4C | OT80F4C | OT100F4C | OT125F4C |
|-----------------------------|----------|----------|---------|---------|---------|---------|---------|----------|----------|---------|---------|---------|---------|---------|----------|----------|
| per quarto polo OT16...40 | OTS40T1 | EE 336 2 | | | | | | | | • | • | • | • | • | • | • |
| per OT16...40 3p | OTS40T3 | EE 337 0 | • | • | • | • | • | • | • | • | • | • | • | • | • | • |
| per quarto polo OT63...80 | OTS63T1 | EO 062 3 | | | | | | | | • | • | • | • | • | • | • |
| per OT63...80 3p | OTS63T3 | EO 063 1 | • | • | • | • | • | • | • | • | • | • | • | • | • | • |
| per quarto polo OT100...125 | OTS125T1 | EO 058 1 | | | | | | | | • | • | • | • | • | • | • |
| per OT100...125 3p | OTS125T3 | EO 059 9 | • | • | • | • | • | • | • | • | • | • | • | • | • | • |

Quarto polo aggiunto

| | Tipo | Codice | OT16F3C | OT25F3C | OT40F3C | OT63F3C | OT80F3C | OT100F3C | OT125F3C | OT16F4C | OT25F4C | OT40F4C | OT63F4C | OT80F4C | OT100F4C | OT125F4C |
|-----------------------------|------------|----------|---------|---------|---------|---------|---------|----------|----------|---------|---------|---------|---------|---------|----------|----------|
| simultaneo per OT16...40F | OTPS40FPN2 | EE 333 9 | • | • | • | • | • | • | • | | | | | | | |
| simultaneo per OT63...80F | OTPS80FP | EE 335 4 | • | • | • | • | • | • | • | | | | | | | |
| simultaneo per OT100...125F | OTPS125FP | EE 329 7 | • | • | • | • | • | • | • | | | | | | | |

Adattatore con funzione di fissaggio albero già compresa per le taglie da 16 a 40 A.

Sezionatori commutatori 3/4 poli 160...2500 A



| Tipo | OT160E03C | OT200E03C | OT250E03C | OT315E03C | OT400E03C | OT630E03C | OT800E03C | OT1000E03C | OT1250E03C |
|-------------|-----------|-----------|-----------|-----------|-----------|-----------|-----------|------------|------------|
| Codice | EO 337 9 | EO 339 5 | EO 341 1 | EO 343 7 | EO 345 2 | EO 347 8 | EO 349 4 | EE 349 5 | EE 354 5 |
| Numero poli | 3 | 3 | 3 | 3 | 3 | 3 | 3 | 3 | 3 |

Maniglie dirette

| | Tipo | Codice | OT160E03C | OT200E03C | OT250E03C | OT315E03C | OT400E03C | OT630E03C | OT800E03C | OT1000E03C | OT1250E03C |
|---------------------------|------------|----------|-----------|-----------|-----------|-----------|-----------|-----------|-----------|------------|------------|
| nera per OT160...250E_C | OTV250ECK | EO 420 3 | • | • | • | | | | | | |
| nera per OT315...400E_C | OTV400ECK | EO 421 1 | | | | • | • | | | | |
| nera per OT630...800E_C | OTV800ECK | EO 422 9 | | | | | | • | • | | |
| nera per OT1000...2500E_C | OTV1000ECK | EE 975 7 | | | | | | | | • | • |

Maniglie rinviate a pistola IP65

| | Tipo | Codice | OT160E03C | OT200E03C | OT250E03C | OT315E03C | OT400E03C | OT630E03C | OT800E03C | OT1000E03C | OT1250E03C |
|--|----------------|----------|-----------|-----------|-----------|-----------|-----------|-----------|-----------|------------|------------|
| nera, indicazione 1-0-2 per OT160...200E_C | OHB65J6E011 | EO 416 1 | • | • | • | | | | | | |
| nera, indicazione 1-0-2 per OT315...400E_C | OHB95J12E011 | EO 417 9 | | | | • | • | | | | |
| nera, indicazione 1-0-2 per OT315...800E_C | OHB145J12E011 | EO 258 7 | | | | • | • | • | • | | |
| nera, indicazione 1-0-2 per OT630...800E_C | OHB175J12E011 | EO 259 5 | | | | | | • | • | | |
| nera, indicazione 1-0-2 per OT1000...2500E_C | OHB200J12PE011 | EE 450 1 | | | | | | | | • | • |
| gialla/rossa, indicazione 1-0-2 per OT1000...2500E_C | OHY200J12PE011 | EE 451 9 | | | | | | | | • | • |

Alberi di comando per maniglie a leva

| | Tipo | Codice | OT160E03C | OT200E03C | OT250E03C | OT315E03C | OT400E03C | OT630E03C | OT800E03C | OT1000E03C | OT1250E03C |
|-----------------|-----------|----------|-----------|-----------|-----------|-----------|-----------|-----------|-----------|------------|------------|
| lunghezza 150mm | OXp6X150 | KX 079 3 | • | • | • | | | | | | |
| lunghezza 210mm | OXp6X210 | KZ 595 6 | • | • | • | | | | | | |
| lunghezza 290mm | OXp6X290 | KX 080 1 | • | • | • | | | | | | |
| lunghezza 360mm | OXp6X360 | KX 592 5 | • | • | • | | | | | | |
| lunghezza 430mm | OXp6X430 | KX 081 9 | • | • | • | | | | | | |
| lunghezza 166mm | OXp12X166 | KX 576 8 | | | | • | • | • | • | • | • |
| lunghezza 185mm | OXp12X185 | KX 596 6 | | | | • | • | • | • | • | • |
| lunghezza 250mm | OXp12X250 | KX 082 7 | | | | • | • | • | • | • | • |
| lunghezza 280mm | OXp12X280 | KX 056 1 | | | | • | • | • | • | • | • |
| lunghezza 325mm | OXp12X325 | KX 593 3 | | | | • | • | • | • | • | • |
| lunghezza 395mm | OXp12X395 | KX 083 5 | | | | • | • | • | • | • | • |
| lunghezza 465mm | OXp12X465 | KX 594 1 | | | | • | • | • | • | • | • |
| lunghezza 535mm | OXp12X535 | KX 084 3 | | | | • | • | • | • | • | • |

Contatti ausiliari

| | Tipo | Codice | OT160E03C | OT200E03C | OT250E03C | OT315E03C | OT400E03C | OT630E03C | OT800E03C | OT1000E03C | OT1250E03C |
|---|--------|----------|-----------|-----------|-----------|-----------|-----------|-----------|-----------|------------|------------|
| NC per OT200...2500 montaggio lato destro max 8 | OA1G01 | EO 000 3 | • | • | • | • | • | • | • | • | • |
| NA per OT200...2500 montaggio lato destro max 8 | OA3G01 | EO 161 3 | • | • | • | • | • | • | • | • | • |

Calotte protezione terminali

| | | bassa | | alta | | OT160E03C | OT200E03C | OT250E03C | OT315E03C | OT400E03C | OT630E03C | OT800E03C | OT1000E03C | OT1250E03C |
|----------------------------------|--------|--------------|----------|--------------|----------|-----------|-----------|-----------|-----------|-----------|-----------|-----------|------------|------------|
| Calotta per OT160...250 | Tipo | Codice | Tipo | Codice | | | | | | | | | | |
| grigia | 3 poli | OTS250G1S/3 | EO 479 9 | OTS250G1L/3 | EO 480 7 | • | • | • | | | | | | |
| | 4 poli | OTS250G1S/4 | EO 487 2 | OTS250G1L/4 | EO 488 0 | | | | | | | | | |
| trasparente | 3 poli | OTS250T1S/3 | EO 477 3 | OTS250T1L/3 | EO 478 1 | • | • | • | | | | | | |
| | 4 poli | OTS250T1S/4 | EO 485 6 | OTS250T1L/4 | EO 486 4 | | | | | | | | | |
| Calotta per OT315...400 | | | | | | | | | | | | | | |
| grigia | 3 poli | OTS400G1S/3 | EO 483 1 | OTS400G1L/3 | EO 484 9 | | | | • | • | | | | |
| | 4 poli | OTS400G1S/4 | EO 491 4 | OTS400G1L/4 | EO 492 2 | | | | | | | | | |
| trasparente | 3 poli | OTS400T1S/3 | EO 481 5 | OTS400T1L/3 | EO 482 3 | | | | • | • | | | | |
| | 4 poli | OTS400T1S/4 | EO 489 8 | OTS400T1L/4 | EO 490 6 | | | | | | | | | |
| Calotta per OT630...800 | | | | | | | | | | | | | | |
| grigia | 3 poli | OTS800G1S/3 | EO 625 7 | OTS800G1L/3 | EO 626 5 | | | | | | • | • | | |
| | 4 poli | OTS800G1S/4 | EO 629 9 | OTS800G1L/4 | EO 630 7 | | | | | | | | | |
| trasparente | 3 poli | OTS800T1S/3 | EO 623 2 | OTS800T1L/3 | EO 624 0 | | | | | | • | • | | |
| | 4 poli | OTS800T1S/4 | EO 627 3 | OTS800T1L/4 | EO 628 1 | | | | | | | | | |
| Calotta per OT1000...1600 | | | | | | | | | | | | | | |
| grigia | 3 poli | OTS1600G1S/3 | EE 669 6 | OTS1600G1L/3 | EE 668 8 | | | | | | | | • | • |
| | 4 poli | OTS1600G1S/4 | EE 671 2 | OTS1600G1L/4 | EE 670 4 | | | | | | | | | |
| trasparente | 3 poli | OTS1600T1S/3 | EE 000 0 | OTS1600T1L/3 | EE 000 0 | | | | | | | | • | • |
| | 4 poli | OTS1600T1S/4 | EE 000 0 | OTS1600T1L/4 | EE 000 0 | | | | | | | | | |
| Calotta per OT2000...2500 | | | | | | | | | | | | | | |
| grigia | 3 poli | OTS2500G1S/3 | EE 497 2 | OTS2500G1L/3 | EE 495 6 | | | | | | | | | |
| | 4 poli | OTS2500G1S/4 | EE 498 0 | OTS2500G1L/4 | EE 496 4 | | | | | | | | | |
| trasparente | 3 poli | OTS2500T1S/3 | EE 000 0 | OTS2500T1L/3 | EE 000 0 | | | | | | | | | |
| | 4 poli | OTS2500T1S/4 | EE 000 0 | OTS2500T1L/4 | EE 000 0 | | | | | | | | | |

Sezionatori 3/4 poli da 16...125 A



| Tipo | OT16F3 | OT25F3 | OT40F3 | OT63F3 | OT80F3 | OT100F3 | OT125F3 | OT16F4N2 | OT25F4N2 | OT40F4N2 | OT63F4N2 | OT80F4N2 | OT100F4N2 | OT125F4N2 |
|-------------|----------|----------|----------|----------|----------|----------|----------|----------|----------|----------|----------|----------|-----------|-----------|
| Codice | EE 258 6 | EE 259 6 | EE 260 4 | EE 261 2 | EE 262 0 | EE 263 8 | EE 264 6 | EE 272 9 | EE 273 7 | EE 274 5 | EE 275 2 | EE 276 0 | EE 277 8 | EE 278 6 |
| Numero poli | 3 | 3 | 3 | 3 | 3 | 3 | 3 | 4 | 4 | 4 | 4 | 4 | 4 | 4 |

Maniglie dirette (albero non necessario)

| | Tipo | Codice | OT16F3 | OT25F3 | OT40F3 | OT63F3 | OT80F3 | OT100F3 | OT125F3 | OT16F4N2 | OT25F4N2 | OT40F4N2 | OT63F4N2 | OT80F4N2 | OT100F4N2 | OT125F4N2 |
|-----------------------------|--------|----------|--------|--------|--------|--------|--------|---------|---------|----------|----------|----------|----------|----------|-----------|-----------|
| nera (40x13) | OHBS2 | EE 608 4 | | | | • | • | • | • | | | | • | • | • | • |
| rossa/gialla (40x13) | OHRS2 | EE 306 5 | | | | • | • | • | • | | | | • | • | • | • |
| nera (39x18) | OHBS3 | EE 609 2 | • | • | • | • | • | • | • | • | • | • | • | • | • | • |
| rossa/gialla (39x18) | OHRS3 | EE 307 3 | • | • | • | • | • | • | • | • | • | • | • | • | • | • |
| nera, lucchettabile | OHBS12 | EE 623 3 | • | • | • | • | • | • | • | • | • | • | • | • | • | • |
| rossa/gialla, lucchettabile | OHRS12 | EE 624 1 | • | • | • | • | • | • | • | • | • | • | • | • | • | • |

Maniglie rinviate quadrate

| | Tipo | Codice | OT16F3 | OT25F3 | OT40F3 | OT63F3 | OT80F3 | OT100F3 | OT125F3 | OT16F4N2 | OT25F4N2 | OT40F4N2 | OT63F4N2 | OT80F4N2 | OT100F4N2 | OT125F4N2 |
|--|----------|----------|--------|--------|--------|--------|--------|---------|---------|----------|----------|----------|----------|----------|-----------|-----------|
| nera IP54 | OHBS1AH | EE 294 3 | • | • | • | • | • | • | • | • | • | • | • | • | • | • |
| rossa/gialla IP54 | OHYS1AH | EE 309 9 | • | • | • | • | • | • | • | • | • | • | • | • | • | • |
| nera, blocco porta IP54 | OHBS1AH1 | EE 295 0 | • | • | • | • | • | • | • | • | • | • | • | • | • | • |
| rossa/gialla blocco porta IP54 | OHYS1AH1 | EE 310 7 | • | • | • | • | • | • | • | • | • | • | • | • | • | • |
| nera, lucchettabile, blocco porta IP54 | OHBS3AH1 | EE 301 6 | • | • | • | • | • | • | • | • | • | • | • | • | • | • |
| rossa/gialla, lucchettabile, blocco porta IP54 | OHYS3AH1 | EE 316 4 | • | • | • | • | • | • | • | • | • | • | • | • | • | • |
| nera, lucchettabile, blocco porta sbloccabile IP65 | OHBS2AJ | EE 298 4 | • | • | • | • | • | • | • | • | • | • | • | • | • | • |
| rossa/gialla, lucchettabile, blocco porta sbloccabile IP65 | OHYS2AJ | EE 313 1 | • | • | • | • | • | • | • | • | • | • | • | • | • | • |

Alberi di comando per maniglie quadrate

| | Tipo | Codice | OT16F3 | OT25F3 | OT40F3 | OT63F3 | OT80F3 | OT100F3 | OT125F3 | OT16F4N2 | OT25F4N2 | OT40F4N2 | OT63F4N2 | OT80F4N2 | OT100F4N2 | OT125F4N2 |
|-----------------|----------|----------|--------|--------|--------|--------|--------|---------|---------|----------|----------|----------|----------|----------|-----------|-----------|
| lunghezza 85mm | OX56X85 | EE 320 6 | • | • | • | • | • | • | • | • | • | • | • | • | • | • |
| lunghezza 105mm | OX56X105 | EE 377 6 | • | • | • | • | • | • | • | • | • | • | • | • | • | • |
| lunghezza 120mm | OX56X120 | EE 321 4 | • | • | • | • | • | • | • | • | • | • | • | • | • | • |
| lunghezza 130mm | OX56X130 | EE 322 2 | • | • | • | • | • | • | • | • | • | • | • | • | • | • |
| lunghezza 160mm | OX56X160 | EE 323 0 | • | • | • | • | • | • | • | • | • | • | • | • | • | • |
| lunghezza 180mm | OX56X180 | EE 324 8 | • | • | • | • | • | • | • | • | • | • | • | • | • | • |
| lunghezza 250mm | OX56X250 | EE 325 5 | • | • | • | • | • | • | • | • | • | • | • | • | • | • |
| lunghezza 330mm | OX56X330 | EE 326 3 | • | • | • | • | • | • | • | • | • | • | • | • | • | • |

Contatti ausiliari

| Montaggio | Tipo | Codice | OT16F3 | OT25F3 | OT40F3 | OT63F3 | OT80F3 | OT100F3 | OT125F3 | OT16F4N2 | OT25F4N2 | OT40F4N2 | OT63F4N2 | OT80F4N2 | OT100F4N2 | OT125F4N2 |
|--|--------|----------|--------|--------|--------|--------|--------|---------|---------|----------|----------|----------|----------|----------|-----------|-----------|
| NC per OT16...125F sinistra ⁽¹⁾ | OA1G01 | EO 000 3 | • | • | • | • | • | • | • | • | • | • | • | • | • | • |
| NA per OT16...125F destra ⁽¹⁾ | OA1G10 | EO 001 1 | • | • | • | • | • | • | • | • | • | • | • | • | • | • |
| NA+NC per OT16...125F sinistra/destra ⁽²⁾ | OA2G11 | EO 168 8 | • | • | • | • | • | • | • | • | • | • | • | • | • | • |

⁽¹⁾ Max 2, ⁽²⁾ Max 2 per lato.

Calotte protezione terminali

| | Tipo | Codice | OT16F3 | OT25F3 | OT40F3 | OT63F3 | OT80F3 | OT100F3 | OT125F3 | OT16F4N2 | OT25F4N2 | OT40F4N2 | OT63F4N2 | OT80F4N2 | OT100F4N2 | OT125F4N2 |
|-----------------------------|----------|----------|--------|--------|--------|--------|--------|---------|---------|----------|----------|----------|----------|----------|-----------|-----------|
| per quarto polo OT16...40 | OTS40T1 | EE 336 2 | | | | | | | | • | • | • | | | | |
| per OT16...40 3p | OTS40T3 | EE 337 0 | • | • | • | | | | | • | • | • | | | | |
| per quarto polo OT63...80 | OTS63T1 | EO 062 3 | | | | | | | | | | | • | • | | |
| per OT63...80 3p | OTS63T3 | EO 063 1 | | | | | | • | | | | | • | • | | |
| per quarto polo OT100...125 | OTS125T1 | EO 058 1 | | | | | | | | | | | | | • | • |
| per OT100...125 3p | OTS125T3 | EO 059 9 | | | | | | | • | • | | | | | • | • |

Quarto polo solo per versione tripolari

| | Tipo | Codice | OT16F3 | OT25F3 | OT40F3 | OT63F3 | OT80F3 | OT100F3 | OT125F3 | OT16F4N2 | OT25F4N2 | OT40F4N2 | OT63F4N2 | OT80F4N2 | OT100F4N2 | OT125F4N2 |
|---------------------------------------|------------|----------|--------|--------|--------|--------|--------|---------|---------|----------|----------|----------|----------|----------|-----------|-----------|
| simultaneo per OT16...40F | OTPS40FPN2 | EE 333 9 | • | • | • | | | | | | | | | | | |
| simultaneo per OT63...80F | OTPS80FP | EE 335 4 | | | | • | • | | | | | | | | | |
| simultaneo per OT100...125F | OTPS125FP | EE 329 7 | | | | | | • | | | | | | | | |
| protezione di terra per OT16...40F3 | OTPE40FP | EE 327 1 | • | • | • | | | | | | | | | | | |
| protezione di terra per OT63...80F3 | OTPE80FP | EE 319 8 | | | | • | • | | | | | | | | | |
| protezione di terra per OT100...125F3 | OTPE125FP | EE 328 9 | | | | | | • | • | | | | | | | |

Kit di conversione

| | Tipo | Codice | OT16F3 | OT25F3 | OT40F3 | OT63F3 | OT80F3 | OT100F3 | OT125F3 | OT16F4N2 | OT25F4N2 | OT40F4N2 | OT63F4N2 | OT80F4N2 | OT100F4N2 | OT125F4N2 |
|---|----------|----------|--------|--------|--------|--------|--------|---------|---------|----------|----------|----------|----------|----------|-----------|-----------|
| accoppiamento 2 sezionatori (6 - 8 poli) affiancati | OWP6D40 | EE 379 2 | • | • | • | | | | | • | • | • | | | | |
| accoppiamento 2 sezionatori (6 - 8 poli) affiancati | OWP6D80 | EE 345 3 | | | | • | • | | | | | | • | • | | |
| accoppiamento 2 sezionatori (6 - 8 poli) affiancati | OWP6D125 | EE 346 1 | | | | | | • | • | | | | | | • | • |
| accoppiamento 2 sezionatori (6 - 8 poli) | OESAZW2 | KZ 557 6 | • | • | • | • | • | • | • | • | • | • | • | • | • | • |
| commutazione 1-0-2 di 2 sezionatori affiancati | OWC6D40 | EE 338 8 | • | • | • | | | | | • | • | • | | | | |
| commutazione 1-0-2 di 2 sezionatori affiancati | OWC6D80 | EE 339 6 | | | | • | • | | | | | | • | • | | |
| commutazione 1-0-2 di 2 sezionatori affiancati | OWC6D125 | EE 340 4 | | | | | | • | • | | | | | | • | • |
| commutazione 1-0-2 di 2 sezionatori ⁽³⁾ | OESAZW1 | KZ 559 2 | • | • | • | • | • | • | • | • | • | • | • | • | • | • |
| meccanismo di by-pass di 3 sezionatori ⁽³⁾ | OTZW17 | EO 107 6 | • | • | • | • | • | • | • | • | • | • | • | • | • | • |
| interblocco di 2 sezionatori | OTZW10 | EO 511 9 | • | • | • | • | • | • | • | • | • | • | • | • | • | • |

⁽³⁾ Maniglie e alberi inclusi nella fornitura

Calotte modulari

| | Tipo | Codice | OT16F3 | OT25F3 | OT40F3 | OT63F3 | OT80F3 | OT100F3 | OT125F3 | OT16F4N2 | OT25F4N2 | OT40F4N2 | OT63F4N2 | OT80F4N2 | OT100F4N2 | OT125F4N2 |
|-----------------|-------|----------|--------|--------|--------|--------|--------|---------|---------|----------|----------|----------|----------|----------|-----------|-----------|
| versione 3 poli | OHYS7 | EE 702 5 | • | • | • | | | | | | | | | | | |
| versione 4 poli | OHYS8 | EE 703 3 | | | | | | | | • | • | • | | | | |

Adattatore con funzione di fissaggio albero già compresa per le taglie da 16 a 125 A.

Sezionatori 3/4 poli da 160...3500 A



| Tipo | OT160E3-2 | OT200E03 | OT250E03 | OT315E03 |
|-------------|-----------|----------|----------|----------|
| Codice | KX 692 3 | EO 425 2 | EO 431 0 | EO 437 7 |
| Numero poli | 3 | 3 | 3 | 3 |

Maniglie dirette

| | Tipo | Codice | | | | |
|------|-----------|----------|---|---|---|---|
| nera | YAST1 | EO 072 2 | • | | | |
| | OTV250EK | EO 513 5 | | • | | |
| | OTV400EK | EO 515 0 | | | • | |
| | OTV800EK | EO 682 8 | | | | • |
| | OTV1000EK | EE 452 7 | | | | |

Maniglie rinviate a pistola IP65

| Lunghezza | nera | | rossa/gialla | | | | |
|-----------|------------|----------|--------------|----------|---|--|---|
| | Tipo | Codice | Tipo | Codice | | | |
| 45mm | OHB45J6 | EO 084 7 | OHY45J6 | EO 099 5 | • | | |
| 65mm | OHB65J6 | EO 087 0 | OHY65J6 | EO 102 7 | • | | |
| 80mm | OHB80J6 | EO 089 6 | OHY80J6 | EO 104 3 | • | | |
| 95mm | OHB95J12 | EO 471 6 | OHY95J12 | EO 473 2 | | | • |
| 125mm | OHB125J12 | EO 077 1 | OHY125J12 | EO 092 0 | | | • |
| 145mm | OHB145J12 | EO 078 9 | OHY145J12 | EO 093 8 | | | |
| 175mm | OHB175J12 | EO 080 5 | OHY175J12 | EO 095 3 | | | |
| 300mm | OHB150J12P | EE 664 7 | OHY150J12P | EE 665 4 | | | |
| 400mm | OHB200J12P | EE 666 2 | OHY200J12P | EE 667 0 | | | |

Alberi di comando per maniglie a leva

| | Tipo | Codice | | | | |
|-----------------|-----------|----------|---|---|---|---|
| lunghezza 150mm | OXp6X150 | KX 079 3 | • | • | • | |
| lunghezza 210mm | OXp6X210 | KZ 595 6 | • | • | • | |
| lunghezza 290mm | OXp6X290 | KX 080 1 | • | • | • | |
| lunghezza 360mm | OXp6X360 | KX 592 5 | • | • | • | |
| lunghezza 430mm | OXp6X430 | KX 081 9 | • | • | • | |
| lunghezza 166mm | OXp12X166 | KX 576 8 | | | | • |
| lunghezza 185mm | OXp12X185 | KX 596 6 | | | | • |
| lunghezza 250mm | OXp12X250 | KX 082 7 | | | | • |
| lunghezza 280mm | OXp12X280 | KX 056 1 | | | | • |
| lunghezza 325mm | OXp12X325 | KX 593 3 | | | | • |
| lunghezza 395mm | OXp12X395 | KX 083 5 | | | | • |
| lunghezza 465mm | OXp12X465 | KX 594 1 | | | | • |
| lunghezza 535mm | OXp12X535 | KX 084 3 | | | | • |

Contatti ausiliari

| | Tipo | Codice | | | | |
|--|--------|----------|---|---|---|---|
| NA+NC per OT160 con accessorio OAZX1 (max 4) | OA2G11 | EO 168 8 | • | | | |
| accessorio per OA2G11 montato su OT160 | OAZX1 | EO 167 0 | • | | | |
| NA per OT160 montaggio frontale con accessorio OEZNP1 (max 6) | OBEA10 | KX 695 6 | • | | | |
| NC per OT160 montaggio frontale con accessorio OEZNP1 (max 6) | OBEA01 | KX 694 9 | • | | | |
| accessorio per OBEA10/OBEA01 | OEZNP1 | KX 698 0 | • | | | |
| NC per OT200...2500 montaggio frontale | OA1G01 | EO 000 3 | | • | • | • |
| NA per OT200...2500 montaggio frontale | OA3G01 | EO 161 3 | | • | • | • |
| accessorio per OA1G10 e OA3G01 da montare al lato OT200...2500 | OEA28 | EO 512 7 | | • | • | • |

Calotte

| | 3 poli | | 4 poli | | | | |
|---------------------|----------|----------|----------|----------|-----------------|--|--|
| | Tipo | Codice | Tipo | Codice | | | |
| Unipolare per OT160 | OTS160T1 | EO 355 1 | OTS160T1 | EO 355 1 | • | | |
| Calotta per OT160 | OTS160T3 | EO 276 9 | OTS160T4 | EO 277 7 | • (solo 3 poli) | | |

| | 3 poli | bassa | | alta | | | | |
|-------------------------|--------|-------------|----------|-------------|----------|--|---|---|
| | | Tipo | Codice | Tipo | Codice | | | |
| Calotta per OT200...250 | grigia | OTS250G1S/3 | EO 479 9 | OTS250G1L/3 | EO 480 7 | | • | • |
| | | OTS250G1S/4 | EO 487 2 | OTS250G1L/4 | EO 488 0 | | | |
| trasparente | 3 poli | OTS250T1S/3 | EO 477 3 | OTS250T1L/3 | EO 478 1 | | • | • |
| | 4 poli | OTS250T1S/4 | EO 485 6 | OTS250T1L/4 | EO 486 4 | | | |

| | 3 poli | bassa | | alta | | | | |
|-------------------------|--------|-------------|----------|-------------|----------|--|--|---|
| | | Tipo | Codice | Tipo | Codice | | | |
| Calotta per OT315...400 | grigia | OTS400G1S/3 | EO 483 1 | OTS400G1L/3 | EO 484 9 | | | • |
| | | OTS400G1S/4 | EO 491 4 | OTS400G1L/4 | EO 492 2 | | | |
| trasparente | 3 poli | OTS400T1S/3 | EO 481 5 | OTS400T1L/3 | EO 482 3 | | | • |
| | 4 poli | OTS400T1S/4 | EO 489 8 | OTS400T1L/4 | EO 490 6 | | | |

| | 3 poli | bassa | | alta | | | | |
|-------------------------|--------|-------------|----------|-------------|----------|--|--|--|
| | | Tipo | Codice | Tipo | Codice | | | |
| Calotta per OT630...800 | grigia | OTS800G1S/3 | EO 625 7 | OTS800G1L/3 | EO 626 5 | | | |
| | | OTS800G1S/4 | EO 629 9 | OTS800G1L/4 | EO 630 7 | | | |
| trasparente | 3 poli | OTS800T1S/3 | EO 623 2 | OTS800T1L/3 | EO 624 0 | | | |
| | 4 poli | OTS800T1S/4 | EO 627 3 | OTS800T1L/4 | EO 628 1 | | | |

| | 3 poli | bassa | | alta | | | | |
|---------------------------|--------|--------------|----------|--------------|----------|--|--|--|
| | | Tipo | Codice | Tipo | Codice | | | |
| Calotta per OT1000...1600 | grigia | OTS1600G1S/3 | EE 669 6 | OTS1600G1L/3 | EE 668 8 | | | |
| | | OTS1600G1S/4 | EE 671 2 | OTS1600G1L/4 | EE 670 4 | | | |
| trasparente | 3 poli | OTS1600T1S/3 | EE 000 0 | OTS1600T1L/3 | EE 000 0 | | | |
| | 4 poli | OTS1600T1S/4 | EE 000 0 | OTS1600T1L/4 | EE 000 0 | | | |

| | 3 poli | bassa | | alta | | | | |
|---------------------------|--------|--------------|----------|--------------|----------|--|--|--|
| | | Tipo | Codice | Tipo | Codice | | | |
| Calotta per OT2000...2500 | grigia | OTS2500G1S/3 | EE 497 2 | OTS2500G1L/3 | EE 495 6 | | | |
| | | OTS2500G1S/4 | EE 498 0 | OTS2500G1L/4 | EE 496 4 | | | |
| trasparente | 3 poli | OTS2500T1S/3 | EE 000 0 | OTS2500T1L/3 | EE 000 0 | | | |
| | 4 poli | OTS2500T1S/4 | EE 000 0 | OTS2500T1L/4 | EE 000 0 | | | |



| OT800E04 EO 618 2 4 | OT1000E04 EE 632 4 4 | OT1250E04 EE 636 5 4 | OT1600E04 EE 640 7 4 | OT2000E04 EE 482 4 4 | OT2500E04 EE 485 7 4 | OETL3150K4-2 KZ 615 2 4 |
|---------------------------|----------------------------|----------------------------|----------------------------|----------------------------|----------------------------|-------------------------------|
|---------------------------|----------------------------|----------------------------|----------------------------|----------------------------|----------------------------|-------------------------------|

| | | | | | | |
|---|---|---|---|---|---|--|
| • | • | • | • | • | • | |
|---|---|---|---|---|---|--|

| | | | | | | |
|---|---|---|---|---|---|--|
| • | • | • | • | • | • | |
| • | | | | | | |
| • | | | | | | |

| | | | | | | |
|---|---|---|---|---|---|---|
| • | • | • | • | • | • | • |
| • | • | • | • | • | • | • |
| • | • | • | • | • | • | • |
| • | • | • | • | • | • | • |
| • | • | • | • | • | • | • |
| • | • | • | • | • | • | • |
| • | • | • | • | • | • | • |
| • | • | • | • | • | • | • |
| • | • | • | • | • | • | • |
| • | • | • | • | • | • | • |

| | | | | | | |
|---|---|---|---|---|---|--|
| • | • | • | • | • | • | |
| • | • | • | • | • | • | |
| • | • | • | • | • | • | |

| | | | | | | |
|--|--|--|--|--|--|--|
| | | | | | | |
|--|--|--|--|--|--|--|

| | | | | | | |
|--|--|--|--|--|--|--|
| | | | | | | |
|--|--|--|--|--|--|--|

| | | | | | | |
|--|--|--|--|--|--|--|
| | | | | | | |
|--|--|--|--|--|--|--|

| | | | | | | |
|---|--|--|--|--|--|--|
| • | | | | | | |
| • | | | | | | |

| | | | | | | |
|--|---|---|---|--|--|--|
| | • | • | • | | | |
| | • | • | • | | | |

| | | | | | | |
|--|--|--|--|---|---|--|
| | | | | • | • | |
| | | | | • | • | |

Sezionatori accoppiati 6/8 poli 16...125 A



| Tipo | OT16F6 | OT25F6 | OT40F6 | OT63F6 | OT80F6 | OT100F6 | OT125F6 | OT16F8 | OT25F8 | OT40F8 | OT63F8 | OT80F8 | OT100F8 | OT125F8 |
|-------------|----------|----------|----------|----------|----------|----------|----------|----------|----------|----------|----------|----------|----------|----------|
| Codice | EE 244 8 | EE 245 5 | EE 246 3 | EE 247 1 | EE 248 9 | EE 249 7 | EE 250 5 | EE 251 3 | EE 252 1 | EE 253 9 | EE 254 7 | EE 255 4 | EE 256 2 | EE 257 0 |
| Numero poli | 6 | 6 | 6 | 6 | 6 | 6 | 6 | 8 | 8 | 8 | 8 | 8 | 8 | 8 |

Maniglie dirette (albero non necessario)

| | Tipo | Codice | | | | | | | | | | | | |
|-----------------------------|---------|----------|---|---|---|---|---|---|---|---|---|---|---|---|
| nera (40x13) | OHBS2 | EE 608 4 | • | • | • | | | | | • | • | • | | |
| rossa/gialla (40x13) | OHRS2 | EE 306 6 | • | • | • | | | | | • | • | • | | |
| nera (39x18) | OHBS3 | EE 609 2 | • | • | • | | | | | • | • | • | | |
| rossa/gialla (39x18) | OHRS3 | EE 307 3 | • | • | • | | | | | • | • | • | | |
| nera, lucchettabile | OHBS9 | EE 622 5 | | | | • | • | • | • | | | • | • | • |
| rossa/gialla, lucchettabile | OHRS9/1 | EE 308 1 | | | | • | • | • | • | | | • | • | • |

Maniglie rinviate quadrate

| | Tipo | Codice | | | | | | | | | | | | |
|--|----------|----------|---|---|---|---|---|---|---|---|---|---|---|---|
| nera IP54 | OHBS1AH | EE 294 3 | • | • | • | • | • | | | • | • | • | • | • |
| rossa/gialla IP54 | OHYS1AH | EE 309 9 | • | • | • | • | • | | | • | • | • | • | • |
| nera, blocco porta IP54 | OHBS1AH1 | EE 295 0 | • | • | • | • | • | | | • | • | • | • | • |
| rossa/gialla blocco porta IP54 | OHYS1AH1 | EE 310 7 | • | • | • | • | • | | | • | • | • | • | • |
| nera, lucchettabile, blocco porta IP54 | OHBS3AH1 | EE 301 6 | • | • | • | • | • | • | • | • | • | • | • | • |
| rossa/gialla, lucchettabile, blocco porta IP54 | OHYS3AH1 | EE 316 4 | • | • | • | • | • | • | • | • | • | • | • | • |
| nera, lucchettabile, blocco porta sbloccabile IP65 | OHBS2AJ | EE 298 4 | • | • | • | • | • | • | • | • | • | • | • | • |
| rossa/gialla, lucchettabile, blocco porta sbloccabile IP65 | OHYS2AJ | EE 313 1 | • | • | • | • | • | • | • | • | • | • | • | • |

Alberi di comando per maniglie quadrate

| | Tipo | Codice | | | | | | | | | | | | |
|-----------------|----------|----------|---|---|---|---|---|---|---|---|---|---|---|---|
| lunghezza 85mm | OXS6X85 | EE 320 6 | • | • | • | • | • | • | • | • | • | • | • | • |
| lunghezza 105mm | OXS6X105 | EE 377 6 | • | • | • | • | • | • | • | • | • | • | • | • |
| lunghezza 120mm | OXS6X120 | EE 321 4 | • | • | • | • | • | • | • | • | • | • | • | • |
| lunghezza 130mm | OXS6X130 | EE 322 2 | • | • | • | • | • | • | • | • | • | • | • | • |
| lunghezza 160mm | OXS6X160 | EE 323 0 | • | • | • | • | • | • | • | • | • | • | • | • |
| lunghezza 180mm | OXS6X180 | EE 324 8 | • | • | • | • | • | • | • | • | • | • | • | • |
| lunghezza 250mm | OXS6X250 | EE 325 5 | • | • | • | • | • | • | • | • | • | • | • | • |
| lunghezza 330mm | OXS6X330 | EE 326 3 | • | • | • | • | • | • | • | • | • | • | • | • |

Contatti ausiliari

| Montaggio | Tipo | Codice | | | | | | | | | | | | |
|--|--------|----------|---|---|---|---|---|---|---|---|---|---|---|---|
| NC per OT16...125F sinistra ⁽¹⁾ | OA1G01 | EO 000 3 | • | • | • | • | • | • | • | • | • | • | • | • |
| NA per OT16...125F destra ⁽¹⁾ | OA1G10 | EO 001 1 | • | • | • | • | • | • | • | • | • | • | • | • |
| NA+NC per OT16...125F sinistra/destra ⁽²⁾ | OA2G11 | EO 168 8 | • | • | • | • | • | • | • | • | • | • | • | • |

⁽¹⁾ Max 2, ⁽²⁾ Max 2 per lato.

Calotte protezione terminali

| | Tipo | Codice | | | | | | | | | | | | |
|-----------------------------|----------|----------|---|---|---|---|---|--|---|---|---|---|---|---|
| per quarto polo OT16...40 | OTS40T1 | EE 336 2 | | | | | | | | • | • | • | | |
| per OT16...40 3p | OTS40T3 | EE 337 0 | • | • | • | | | | | • | • | • | | |
| per quarto polo OT63...80 | OTS63T1 | EO 062 3 | | | | | | | | | | • | • | |
| per OT63...80 3p | OTS63T3 | EO 063 1 | | | | • | • | | | | | • | • | |
| per quarto polo OT100...125 | OTS125T1 | EO 058 1 | | | | | | | | | | | • | • |
| per OT100...125 3p | OTS125T3 | EO 059 9 | | | | | | | • | • | | | • | • |

Quarto polo solo per versione tripolari

| | Tipo | Codice | | | | | | | | | | | | |
|-----------------------------|------------|----------|---|---|---|---|---|---|---|--|--|--|--|--|
| simultaneo per OT16...40F | OTPS40FPN2 | EE 333 9 | • | • | • | | | | | | | | | |
| simultaneo per OT63...80F | OTPS80FP | EE 335 4 | | | | • | • | | | | | | | |
| simultaneo per OT100...125F | OTPS125FP | EE 329 7 | | | | | | • | • | | | | | |

Calotte modulari

| | Tipo | Codice | | | | | | | | | | | | |
|-----------------|-------|----------|--|--|--|--|--|--|---|---|---|--|--|--|
| versione 8 poli | OHYS9 | EE 704 1 | | | | | | | • | • | • | | | |

Adattore con funzione di fissaggio albero già compresa per le taglie da 16 a 40 A.

Sezionatori OT per applicazioni nel settore solare



| Tipo | OT200E23 | OT250E23 | OT315E23 | OT400E23 | OT630E23 | OT200E33 | OT250E33 | OT315E33 | OT400E33 | OT630E33 |
|-------------|----------|----------|----------|----------|----------|----------|----------|----------|----------|----------|
| Codice | EE 453 5 | EE 455 0 | EE 457 6 | EE 459 2 | EE 461 8 | EE 454 3 | EE 456 8 | EE 458 4 | EE 460 0 | EE 462 6 |
| Numero poli | 5 | 5 | 5 | 5 | 5 | 3 | 6 | 6 | 6 | 6 |

Maniglie dirette

| | Tipo | Codice | | | | | | | | |
|--------------|-----------|----------|---|---|---|---|---|---|---|---|
| nera | OTV250EK | EO 513 5 | • | • | | | | • | • | |
| | OTV400EK | EO 515 0 | | | • | • | | | • | • |
| | OTV800EK | EO 682 8 | | | | | • | | | • |
| rossa/gialla | OTVY250EK | EO 514 3 | • | • | | | | • | • | |
| | OTVY400EK | EO 516 8 | | | • | • | | | • | • |
| | OTVY800EK | EO 683 6 | | | | | • | | | • |

Maniglie rinviate a pistola IP65

| | Tipo | Codice | | | | | | | | |
|-------------------------------|-----------|----------|---|---|---|---|---|---|---|---|
| nera, lunghezza 80mm | OHB80J6 | EO 089 6 | • | • | | | | • | • | |
| rossa/gialla, lunghezza 80mm | OHY80J6 | EO 104 3 | • | • | | | | • | • | |
| nera, lunghezza 125mm | OHB125J12 | EO 077 1 | | | • | • | | | • | • |
| rossa/gialla, lunghezza 125mm | OHY125J12 | EO 092 0 | | | • | • | | | • | • |
| nera, lunghezza 145mm | OHB145J12 | EO 078 9 | | | • | • | • | | • | • |
| rossa/gialla, lunghezza 145mm | OHY145J12 | EO 093 8 | | | • | • | • | | • | • |
| nera, lunghezza 175mm | OHB175J12 | EO 080 5 | | | | | • | | | • |
| rossa/gialla, lunghezza 175mm | OHY175J12 | EO 095 3 | | | | | • | | | • |

Alberi di comando per maniglie a leva

| | Tipo | Codice | | | | | | | | |
|-----------------|-----------|----------|---|---|---|---|---|---|---|---|
| lunghezza 150mm | OSP6X150 | KX 079 3 | • | • | | | | • | • | |
| lunghezza 210mm | OSP6X210 | KZ 595 6 | • | • | | | | • | • | |
| lunghezza 290mm | OSP6X290 | KX 080 1 | • | • | | | | • | • | |
| lunghezza 360mm | OSP6X360 | KX 592 5 | • | • | | | | • | • | |
| lunghezza 430mm | OSP6X430 | KX 081 9 | • | • | | | | • | • | |
| lunghezza 166mm | OSP12X166 | KX 576 8 | | | • | • | • | | • | • |
| lunghezza 185mm | OSP12X185 | KX 596 6 | | | • | • | • | | • | • |
| lunghezza 250mm | OSP12X250 | KX 082 7 | | | • | • | • | | • | • |
| lunghezza 280mm | OSP12X280 | KX 056 1 | | | • | • | • | | • | • |
| lunghezza 325mm | OSP12X325 | KX 593 3 | | | • | • | • | | • | • |
| lunghezza 395mm | OSP12X395 | KX 083 5 | | | • | • | • | | • | • |
| lunghezza 465mm | OSP12X465 | KX 594 1 | | | • | • | • | | • | • |
| lunghezza 535mm | OSP12X535 | KX 084 3 | | | • | • | • | | • | • |

Contatti ausiliari

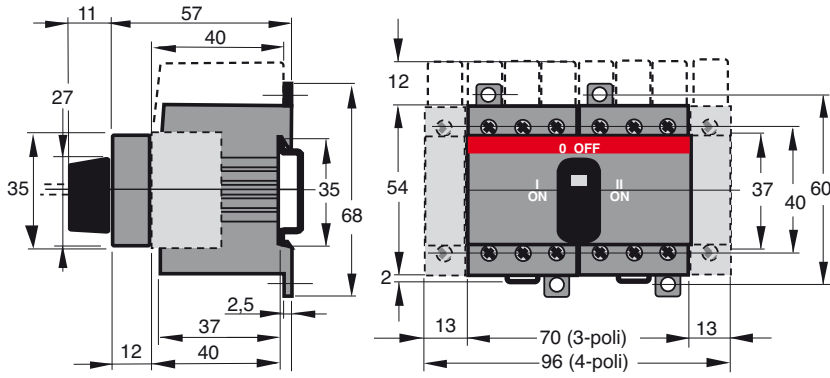
| | Tipo | Codice | | | | | | | | |
|--|--------|----------|---|---|---|---|---|---|---|---|
| NC per OT200...2500 montaggio frontale | OA1G01 | EO 000 3 | • | • | • | • | • | • | • | • |
| NA per OT200...2500 montaggio frontale | OA3G01 | EO 161 3 | • | • | • | • | • | • | • | • |
| accessorio per OA1G10 e OA3G01 montaggio lato OT200...2500 | OEA28 | EO 512 7 | • | • | • | • | • | • | • | • |

Calotte protezione terminali

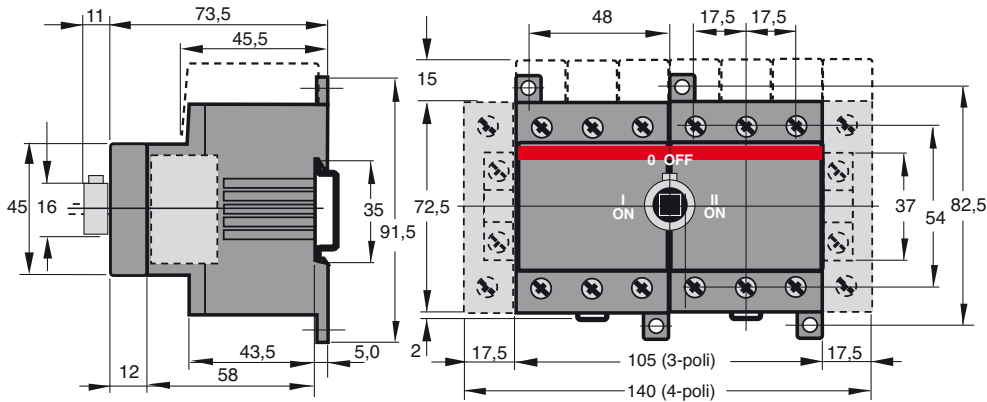
| Calotta per OT200...250 | bassa | | alta | | | | | | | | |
|-------------------------|--------|-------------|-------------|-------------|-------------|----------|---|---|---|---|---|
| | Tipo | Codice | Tipo | Codice | | | | | | | |
| grigia | 3 poli | OTS250G1S/3 | EO 479 9 | OTS250G1L/3 | EO 480 7 | • | • | | | • | • |
| | 4 poli | OTS250G1S/4 | EO 487 2 | OTS250G1L/4 | EO 488 0 | • | • | | | • | • |
| trasparente | 3 poli | OTS250T1S/3 | EO 477 3 | OTS250T1L/3 | EO 478 1 | • | • | | | • | • |
| | 4 poli | OTS250T1S/4 | EO 485 6 | OTS250T1L/4 | EO 486 4 | • | • | | | • | • |
| Calotta per OT315...400 | grigia | 3 poli | OTS400G1S/3 | EO 483 1 | OTS400G1L/3 | EO 484 9 | | | • | • | |
| | | 4 poli | OTS400G1S/4 | EO 491 4 | OTS400G1L/4 | EO 492 2 | | | • | • | |
| trasparente | 3 poli | OTS400T1S/3 | EO 481 5 | OTS400T1L/3 | EO 482 3 | | | • | • | | |
| | 4 poli | OTS400T1S/4 | EO 489 8 | OTS400T1L/4 | EO 490 6 | | | • | • | | |
| Calotta per OT630...800 | grigia | 3 poli | OTS800G1S/3 | EO 625 7 | OTS800G1L/3 | EO 626 5 | | | • | • | |
| | | 4 poli | OTS800G1S/4 | EO 629 9 | OTS800G1L/4 | EO 630 7 | | | • | • | |
| trasparente | 3 poli | OTS800T1S/3 | EO 623 2 | OTS800T1L/3 | EO 624 0 | | | • | • | | |
| | 4 poli | OTS800T1S/4 | EO 627 3 | OTS800T1L/4 | EO 628 1 | | | • | • | | |

Dimensioni di ingombro

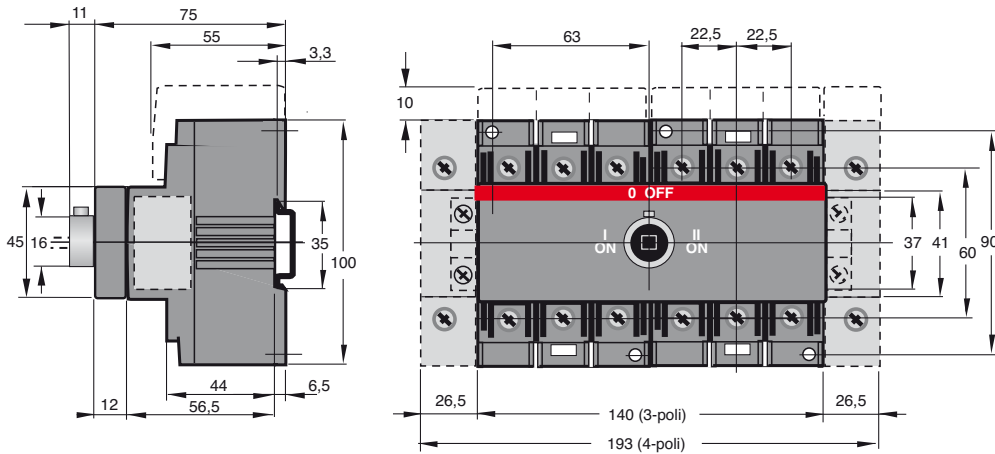
OT16..40F3 - F4 - F6 - F8 - F3C - F4C



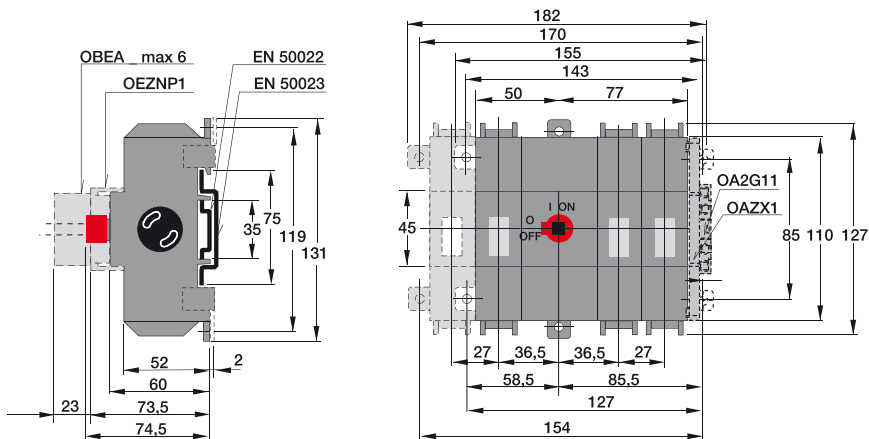
OT63..80F3 - F4 - F6 - F8 - F3C - F4C



OT100..125F3 - F4 - F6 - F8 - F3C - F4C

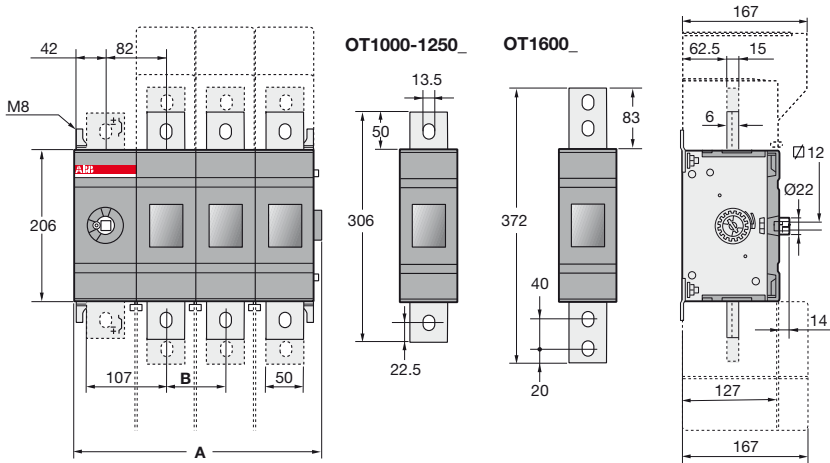


OT160E3 - E4



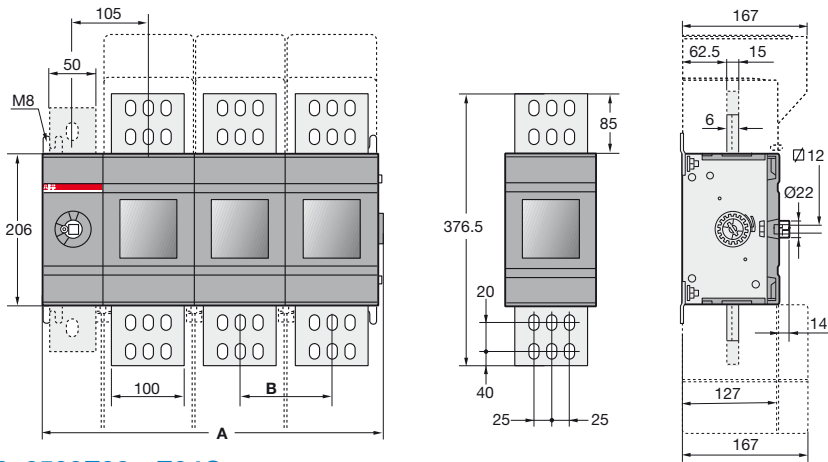
Dimensioni di ingombro

OT1000..1600E_



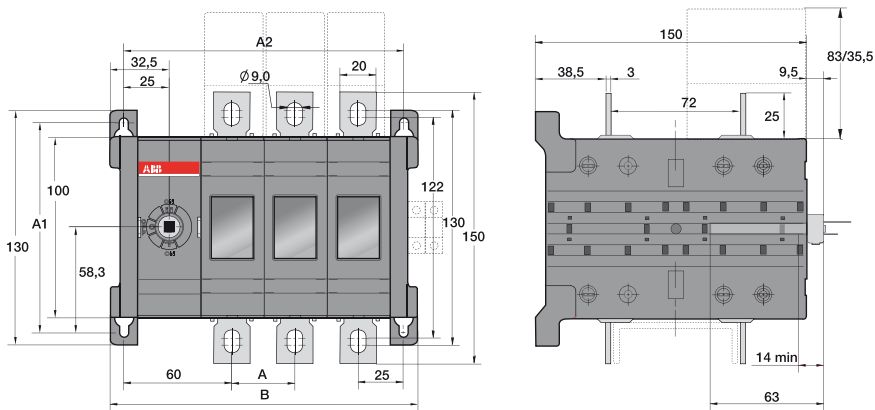
| | E01 | E02 | E03 | E04 |
|----------|-------|-------|-------|-------|
| A | 174,5 | 254,5 | 334,5 | 414,5 |
| B | | 80 | 80 | 80 |

OT2000..2500E_



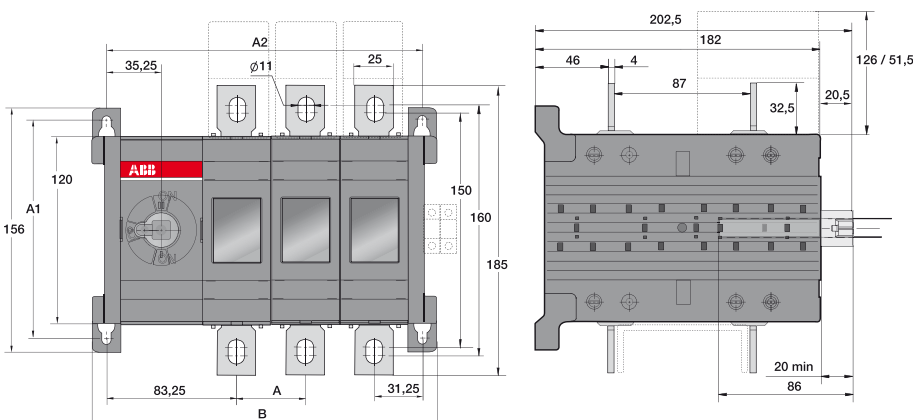
| | E01 | E02 | E03 | E04 |
|----------|-------|-------|-------|-------|
| A | 220,5 | 346,5 | 472,5 | 598,5 |
| B | | 126 | 126 | 126 |

OT160..2500E03 - E04C



| | E03 | E04 |
|-----------|-----|-----|
| A | 35 | 35 |
| A1 | 116 | 116 |
| A2 | 155 | 190 |
| B | 170 | 205 |

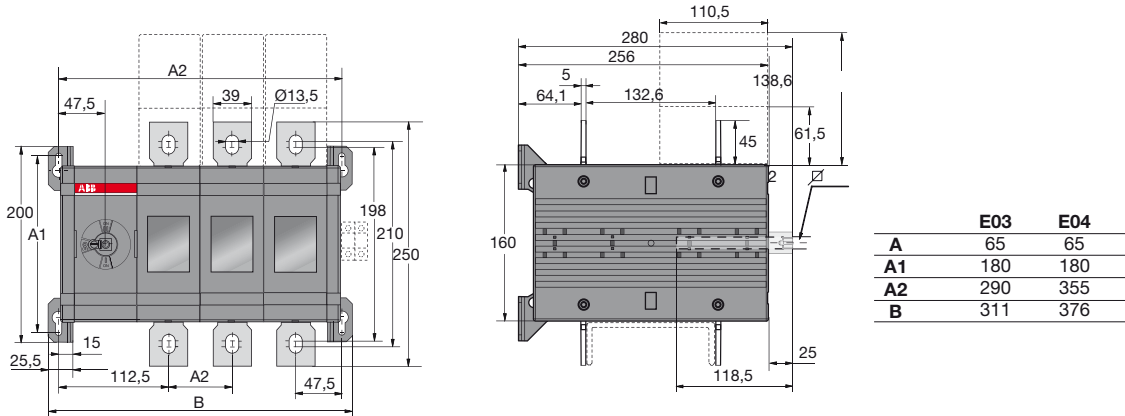
OT315..400E03 - E04C



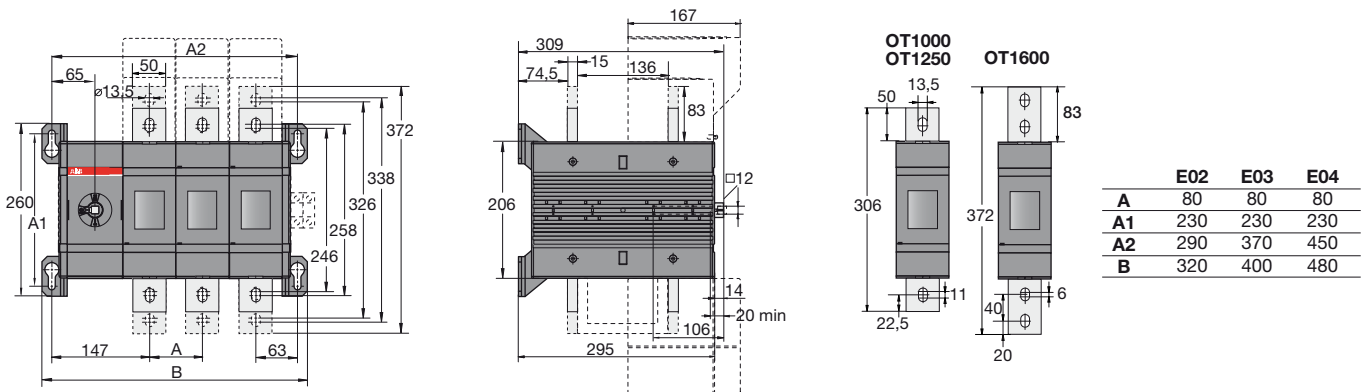
| | E03 | E04 |
|-----------|-------|-------|
| A | 44 | 44 |
| A1 | 142 | 142 |
| A2 | 202,5 | 246,5 |
| B | 221 | 265 |

Dimensioni di ingombro

OT630..800E03 - E04C



OT1000..1600E03 - E04C



OT2000..2500E03 - E04C

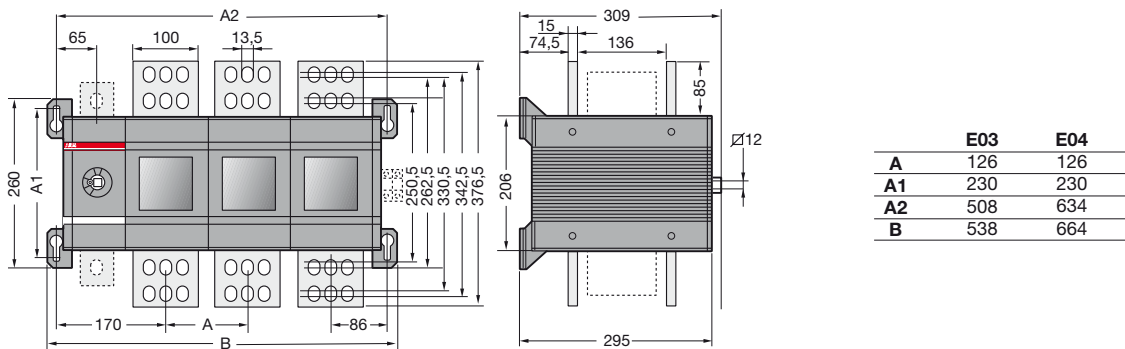


ABB SACE

Una divisione di ABB S.p.A.

Prodotti Industriali

Viale dell'Industria, 18

20010 Vittuone (MI)

Tel.: 02 9034 1

Fax: 02 9034 7775

bol.it.abb.com

www.abb.com