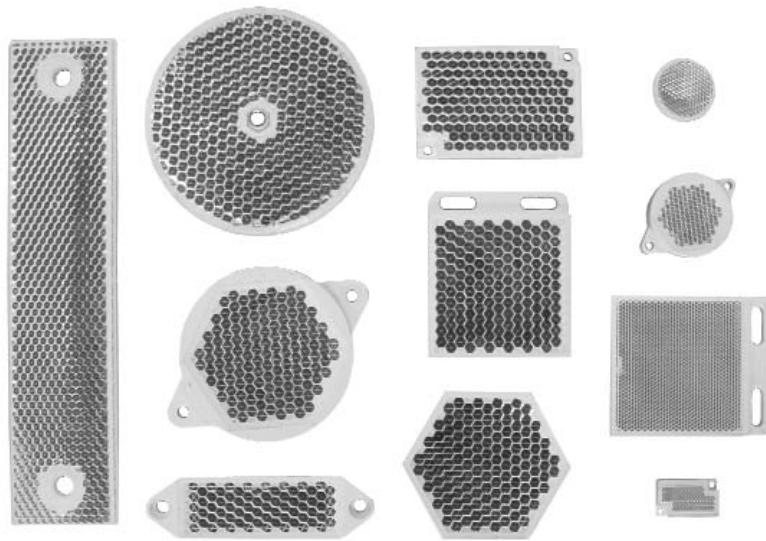
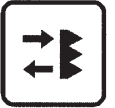


REFLECTORS



- *Prismatic reflectors for retroreflex sensors*
- *High efficiency models for long operating distances*
- *Microprism reflectors for sensors with laser emission*
- *Self-adhesive reflectors and reflective tape*

R SERIES

A wide range of prismatic reflectors is available as accessories for retroreflex sensors in order to guarantee excellent operation with infrared, visible red light and polarised emission.

Reflectors of the **R** series satisfy the most varied application requirements, thanks to the different dimensions, shape, mounting possibilities or operating distances.

The R2 and R5 reflectors are standard reflectors, respectively with 48 mm and 75 mm diameters, whereas the R4 and R6 high-efficiency reflectors can be used for longer operating distances.

The R10 and R11 are suitable for specific applications requiring broad surfaces.

The R7, R8 and R20 microprism reflectors, suitable for high resolution detection, are available for sensors with laser emission.

The R9 reflector is a miniature reflector with a self-adhesive housing fixing system.

The self-adhesive reflective tape can be cut according to the required shape and dimensions, and a version for polarised light is available.

TECHNICAL DATA

PRISMATIC REFLECTORS

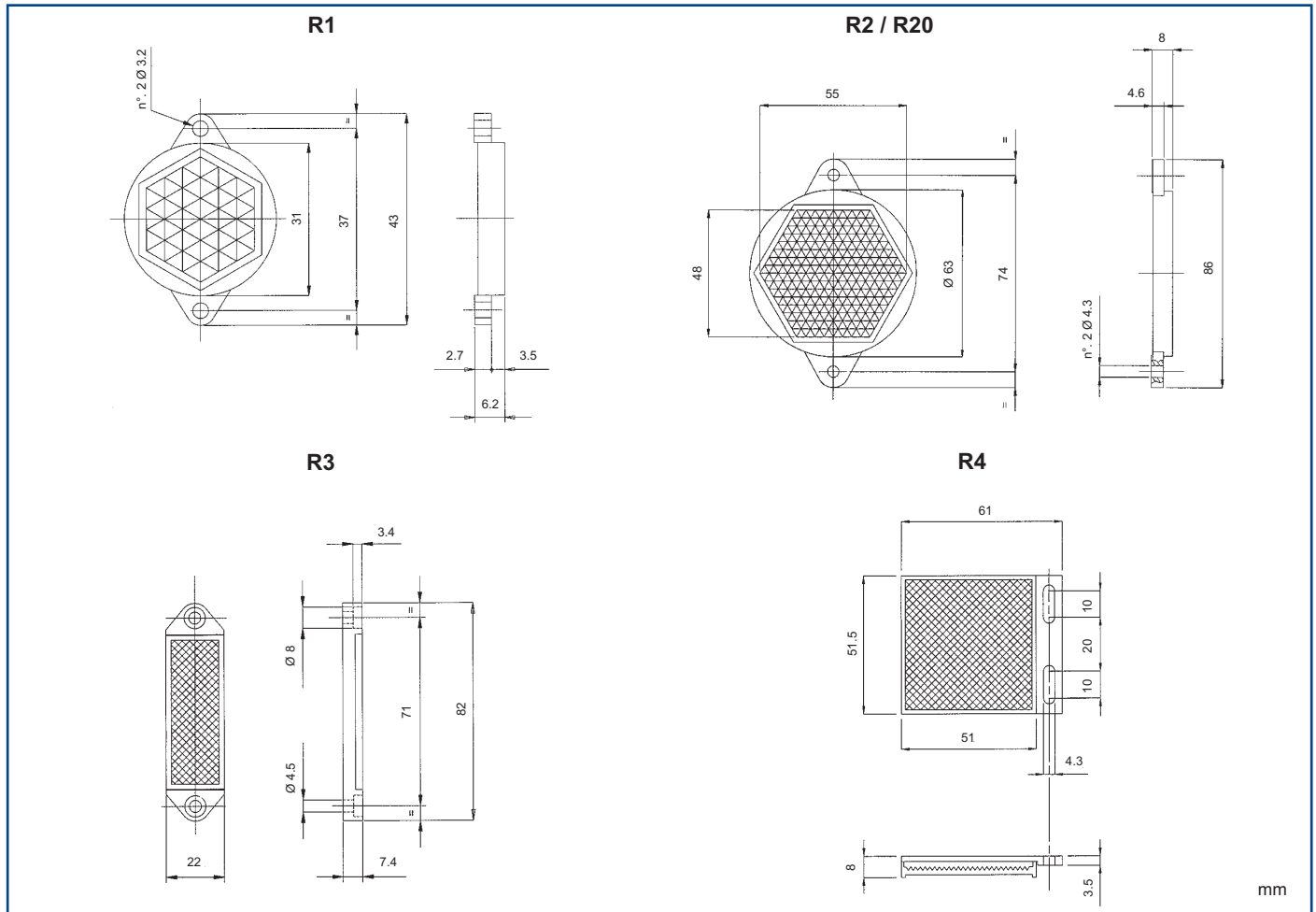
Mechanical protection: IP67
Material: reflector in PMMA plastic
 support in ABS
Operating temperature: -30 ... +70°C
Storage temperature: -30 ... +70°C
Normalised efficiency: refer to table 1
Prism dimension: refer to table 2

REFLECTIVE TAPE

Mechanical protection: IP00
Material: RT3870/RT3970 scotch tape
Operating temperature: -30 ... +70°C
Storage temperature: -30 ... +70°C
Normalised efficiency: refer to table 1

Note:
 The RT3870 tape is used only with retroreflex sensors.
 Used with RT3870/RT3970 reflective tapes, the sensor performances are strongly influenced by the dimensions used. The 'efficiency' values are only indicative and can vary according to the application and sensor type used.

DIMENSIONS



TABLES

Model	Efficiency
R1	60%
R2	100%
R3	85%
R4	120%
R5	120%
R6	120%
R7	70%
R8	30%
R9	60%
R10	100%
R11	80%
R20	100%
S12	100%
RT3870 20x30cm	60%
RT3970 20x30cm	80%
RT3970 60x40mm	40%

Table 1: NORMALISED EFFICIENCY *

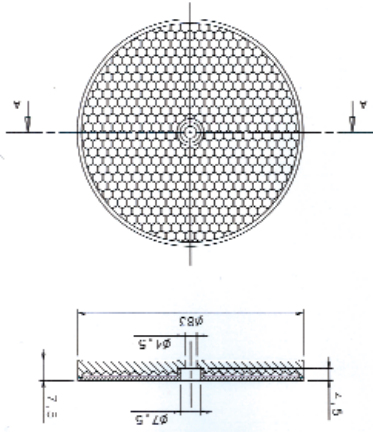
* The operating distance obtainable can be calculated multiplying the normalised efficiency value by the operating distance indicated for each sensor respect to the R2 reference reflector.

Model	CH hexagon
R1	2.1 mm
R2	4.2 mm
R3	4.2 mm
R4	4.2 mm
R5	4.2 mm
R6	4.2 mm
R7	0.8 mm
R8	0.8 mm
R9	2.1 mm
R10	4.2 mm
R11	4.2 mm
R20	0.8 mm
S12	4.2 mm

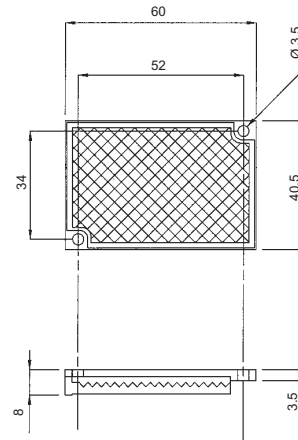
Table 2: PRISM DIMENSIONS

DIMENSIONS

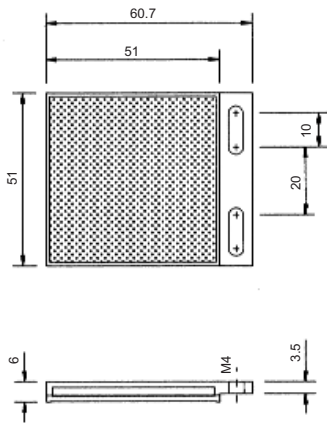
R5



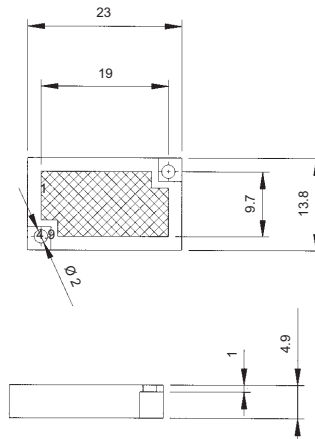
R6



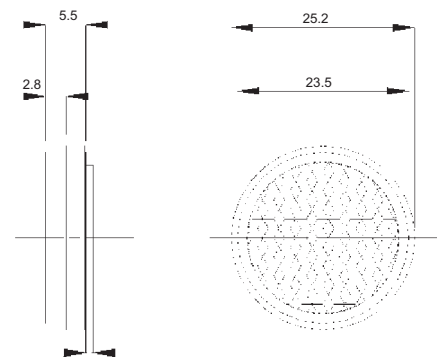
R7



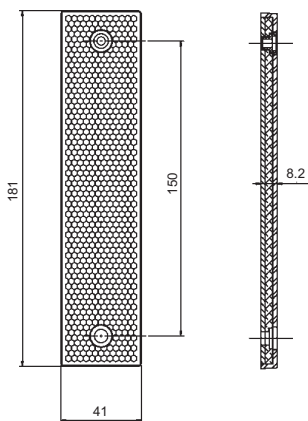
R8



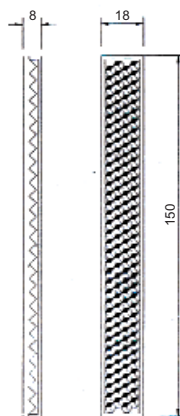
R9



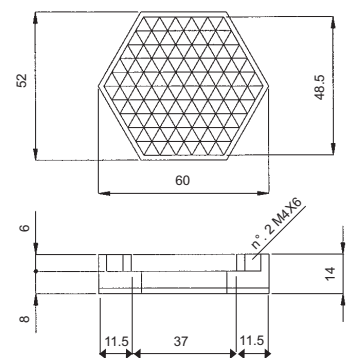
R10



R11



S12



mm

MODEL SELECTION AND ORDER INFORMATION

MODEL	DESCRIPTION	CODE N°
RT3870	200 x 300 mm self-adhesive reflective tape	S940000600
RT3970	200 x 300 mm self-adhesive reflective tape for polarised light	S940000900
RT3970	60 x 40 mm self-adhesive reflective tape for polarised light	S940000604
R1	Ø 23 mm prismatic reflector with Ø 31 mm support	S940700023
R2*	Ø 48 mm prismatic reflector with Ø 63 mm support	S940700048
R3	18 x 54 mm prismatic reflector with 22 x 82 mm support	S940700972
R4	47x 47 mm prismatic reflector with 51.5 x 61 mm support	95A151340
R5	Ø 75 mm prismatic reflector with Ø 82 mm support	S940700075
R6	36 x 55 mm prismatic reflector with 40.5 x 60 mm support	95A151350
R7	38 x 40 mm microprism reflector with 51 x 61 mm support	95A151360
R8	9.7 x 19 mm microprism reflector with 13.8 x 23 mm support	95A151370
R9	Ø 23 mm prismatic reflector with Ø 25 mm self-adhesive support	95A151080
R10	36 x 176 mm prismatic reflector with 41 x 181 mm support	S19120000
R11	146 x 15 mm prismatic reflector with 150 x 18 mm support	95A155050
R20	Ø 48 mm prismatic reflector with Ø 63 mm support	95A151090
S12	Ø 48 mm prismatic reflector with CH.52 mm hexagon support	S940710048

* R2 reflector is supplied together with S2, S3 and S6 retroreflex models

Distributed by:

HEADQUARTERS

DATASENSOR SpA

via Lavino, 265 - 40050 Monte San Pietro, BO - Italy

Tel. +39 051/6765611 • Fax +39 051/6759324

www.datasensor.com • e-mail info@datasensor.com

Datasensor SpA endeavours to continuously improve and renew its products; for this reason the technical data and contents of this catalogue may undergo variations without prior notice. For correct installation and use Datasensor SpA can guarantee only the data indicated in the instruction manual supplied with the products.